

A  
B  
C

# SECTION **VTL**

## VENTILATION SYSTEM

### CONTENTS

<b>PRECAUTION</b> .....	2		F
<b>PRECAUTIONS</b> .....	2	<b>Exploded View</b> .....	6
Precaution for Supplemental Restraint System (SRS) "AIR BAG" and "SEAT BELT PRE-TENSIONER" .....	2	<b>CENTER VENTILATOR GRILLE</b> .....	7
Precaution for Work .....	2	CENTER VENTILATOR GRILLE : Removal and Installation .....	7
<b>PREPARATION</b> .....	3	<b>SIDE VENTILATOR GRILLE</b> .....	7
<b>PREPARATION</b> .....	3	SIDE VENTILATOR GRILLE : Removal and Installation .....	7
Special Service Tool .....	3	<b>CENTER VENTILATOR DUCT</b> .....	7
Commercial Service Tool .....	3	CENTER VENTILATOR DUCT : Removal and Installation .....	7
<b>SYSTEM DESCRIPTION</b> .....	4	<b>FOOT DUCT</b> .....	7
<b>VENTILATION SYSTEM</b> .....	4	FOOT DUCT : Removal and Installation .....	7
<b>VENTILATION SYSTEM (FRONT AIR CONDITIONING)</b> .....	4	<b>FRONT FLOOR DUCT</b> .....	7
VENTILATION SYSTEM (FRONT AIR CONDITIONING) : System Description .....	4	FRONT FLOOR DUCT : Removal and Installation....	7
<b>REMOVAL AND INSTALLATION</b> .....	6	<b>BLOWER MOTOR</b> .....	9
<b>DUCT AND GRILLE</b> .....	6	Exploded View .....	9
		<b>FRONT BLOWER MOTOR</b> .....	9
		FRONT BLOWER MOTOR : Removal and Installation .....	9



# PRECAUTIONS

< PRECAUTION >

## PRECAUTION

### PRECAUTIONS

#### Precaution for Supplemental Restraint System (SRS) "AIR BAG" and "SEAT BELT PRE-TENSIONER"

INFOID:000000007630963

The Supplemental Restraint System such as "AIR BAG" and "SEAT BELT PRE-TENSIONER", used along with a front seat belt, helps to reduce the risk or severity of injury to the driver and front passenger for certain types of collision. This system includes seat belt switch inputs and dual stage front air bag modules. The SRS system uses the seat belt switches to determine the front air bag deployment, and may only deploy one front air bag, depending on the severity of a collision and whether the front occupants are belted or unbelted. Information necessary to service the system safely is included in the SR and SB sections of this Service Manual.

#### **WARNING:**

- To avoid rendering the SRS inoperative, which could increase the risk of personal injury or death in the event of a collision which would result in air bag inflation, all maintenance must be performed by an authorized NISSAN/INFINITI dealer.
- Improper maintenance, including incorrect removal and installation of the SRS, can lead to personal injury caused by unintentional activation of the system. For removal of Spiral Cable and Air Bag Module, see the SR section.
- Do not use electrical test equipment on any circuit related to the SRS unless instructed to in this Service Manual. SRS wiring harnesses can be identified by yellow and/or orange harnesses or harness connectors.

#### PRECAUTIONS WHEN USING POWER TOOLS (AIR OR ELECTRIC) AND HAMMERS

#### **WARNING:**

- When working near the Airbag Diagnosis Sensor Unit or other Airbag System sensors with the Ignition ON or engine running, DO NOT use air or electric power tools or strike near the sensor(s) with a hammer. Heavy vibration could activate the sensor(s) and deploy the air bag(s), possibly causing serious injury.
- When using air or electric power tools or hammers, always switch the ignition OFF, disconnect the battery, and wait at least 3 minutes before performing any service.

#### Precaution for Work

INFOID:000000007630964

- When removing or disassembling each component, be careful not to damage or deform it. If a component may be subject to interference, be sure to protect it with a shop cloth.
- When removing (disengaging) components with a screwdriver or similar tool, be sure to wrap the component with a shop cloth or vinyl tape to protect it.
- Protect the removed parts with a shop cloth and prevent them from being dropped.
- Replace a deformed or damaged clip.
- If a part is specified as a non-reusable part, always replace it with a new one.
- Be sure to tighten bolts and nuts securely to the specified torque.
- After installation is complete, be sure to check that each part works properly.
- Follow the steps below to clean components.
  - Water soluble dirt: Dip a soft cloth into lukewarm water, and wring the water out of the cloth to wipe the dirty area.  
Then rub with a soft and dry cloth.
  - Oily dirt: Dip a soft cloth into lukewarm water with mild detergent (concentration: within 2 to 3%), and wipe the dirty area.  
Then dip a cloth into fresh water, and wring the water out of the cloth to wipe the detergent off. Then rub with a soft and dry cloth.
- Do not use organic solvent such as thinner, benzene, alcohol, or gasoline.
- For genuine leather seats, use a genuine leather seat cleaner.

# PREPARATION

< PREPARATION >

## PREPARATION

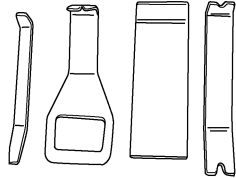
### PREPARATION

#### Special Service Tool

INFOID:000000007631073

The actual shapes of Kent-Moore tools may differ from those of special service tools illustrated here.

Tool number (Kent-Moore No.) Tool name	Description
— (J-46534) Trim Tool Set	Removing trim components



AWJIA0483ZZ

#### Commercial Service Tool

INFOID:000000007768000

Tool name	Description
Power tool	Loosening bolts, screws and nuts



PIIB1407E

A  
B  
C  
D  
E  
F  
G  
H  
J  
K  
L  
M  
N  
O  
P

VTL

# VENTILATION SYSTEM

< SYSTEM DESCRIPTION >

## SYSTEM DESCRIPTION

### VENTILATION SYSTEM

### VENTILATION SYSTEM (FRONT AIR CONDITIONING)

### VENTILATION SYSTEM (FRONT AIR CONDITIONING) : System Description

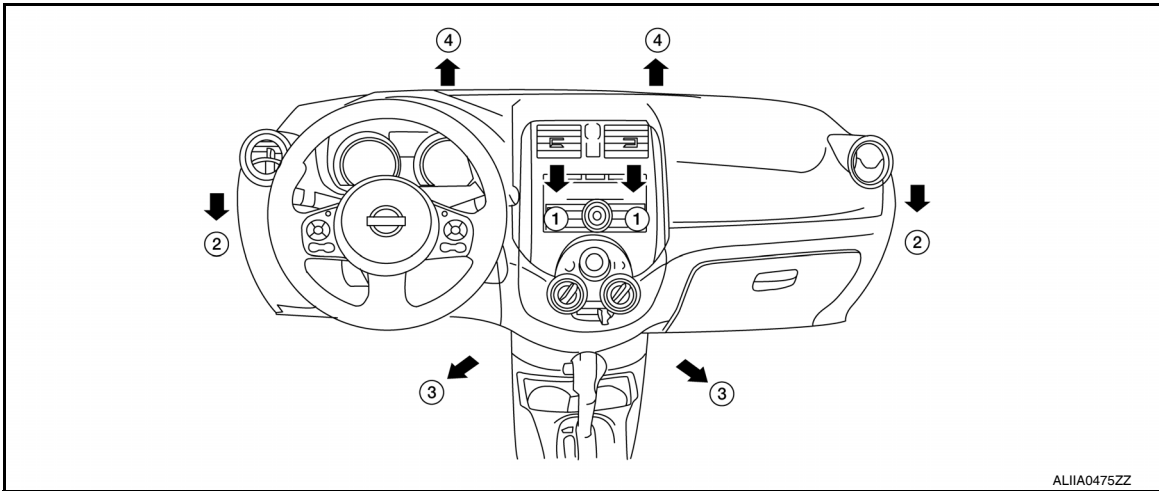
INFOID:000000007207498

#### OUTLINE

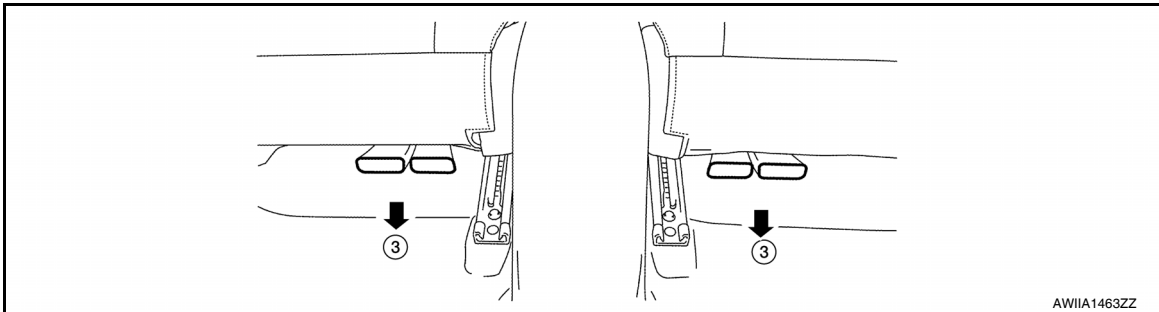
The ventilation system is controlled by the A/C control. For details of the air conditioner system, refer to [VTL-4, "VENTILATION SYSTEM \(FRONT AIR CONDITIONING\) : System Description"](#).

#### AIR FLOW

Front



Rear (if equipped)








×: Applicable

MODE/DEF position indication	AIR OUTLET				
	Ventilator		Foot		Defroster (4)
	Center (1)	Side (2)	Front (3)	Rear (3)	
	×	×	—	—	—
	×	×	×	×	—
	—	×	×	×	×
	—	×	×	×	×
	—	×	—	—	×

Without rear heater duct

# VENTILATION SYSTEM

< SYSTEM DESCRIPTION >

MODE/DEF position in- dication	AIR OUTLET			
	Ventilator		Foot (3)	Defroster (4)
	Center (1)	Side (2)		
	×	×	—	—
	×	×	×	—
	—	×	×	×
	—	×	×	×
	—	×	—	×

A  
B  
C  
D  
E  
F  
G  
H  
J  
K  
L  
M  
N  
O  
P

VTL

# DUCT AND GRILLE

< REMOVAL AND INSTALLATION >

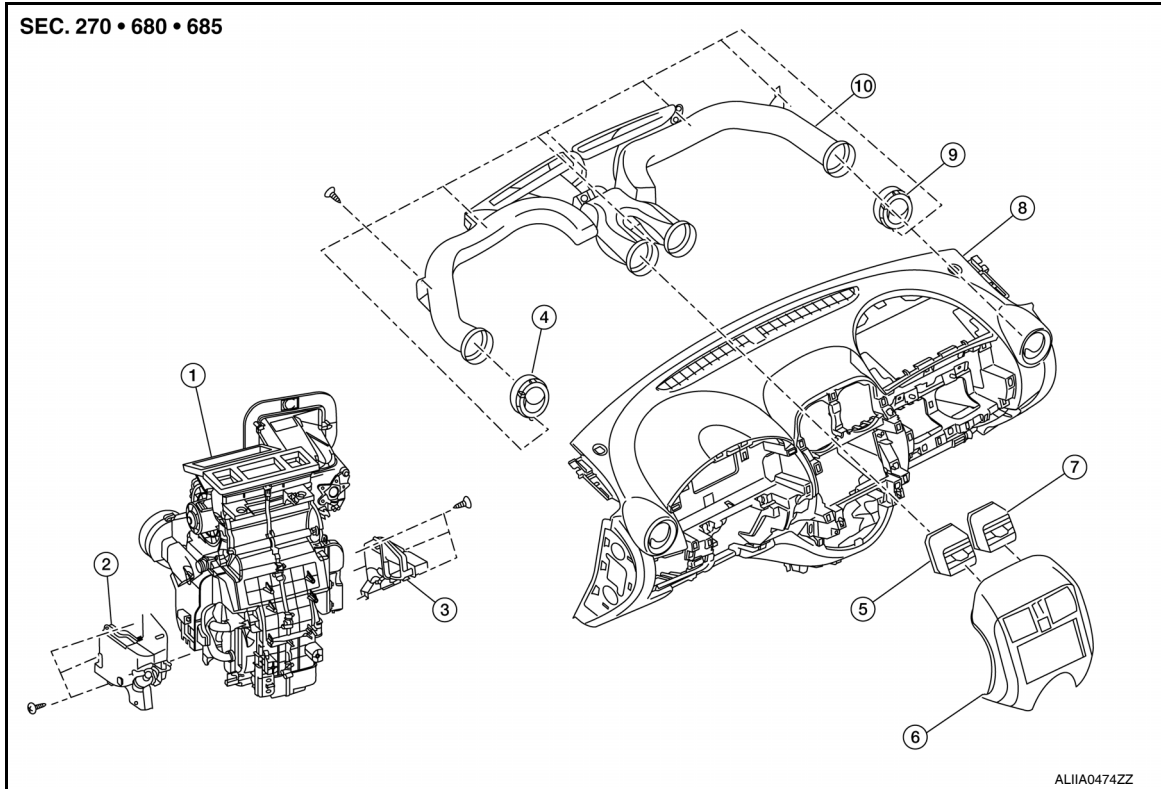
## REMOVAL AND INSTALLATION

### DUCT AND GRILLE

Exploded View

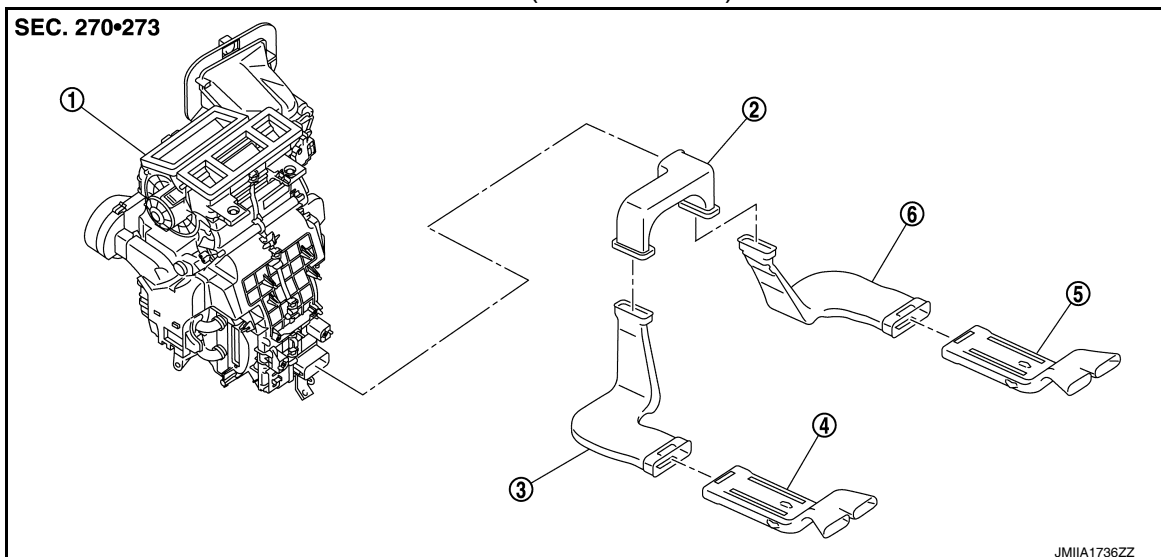
INFOID:000000007207500

FRONT



- |                                     |                                |                              |
|-------------------------------------|--------------------------------|------------------------------|
| 1. A/C unit assembly                | 2. Foot duct LH                | 3. Foot duct RH              |
| 4. Side ventilator grille LH        | 5. Center ventilator grille LH | 6. Cluster lid C             |
| 7. Center ventilator grille LH      | 8. Instrument panel assembly   | 9. Side ventilator grille RH |
| 10. Center ventilator duct assembly |                                |                              |

REAR (IF EQUIPPED)



# DUCT AND GRILLE

## < REMOVAL AND INSTALLATION >

- |                       |                       |                             |
|-----------------------|-----------------------|-----------------------------|
| 1. A/C unit assembly  | 2. Connector duct     | 3. Floor ventilator duct LH |
| 4. Rear floor duct LH | 5. Rear floor duct RH | 6. Floor ventilator duct RH |

A

## CENTER VENTILATOR GRILLE

B

### CENTER VENTILATOR GRILLE : Removal and Installation

INFOID:000000007207501

#### REMOVAL

1. Remove the cluster lid C. Refer to [IP-21. "Removal and Installation"](#).
2. Release the tabs and remove the center ventilator grille from cluster lid C.

C

#### INSTALLATION

Installation is in the reverse order of removal.

D

## SIDE VENTILATOR GRILLE

E

### SIDE VENTILATOR GRILLE : Removal and Installation

INFOID:000000007207502

#### REMOVAL

1. Remove the instrument panel assembly. Refer to [IP-15. "Removal and Installation"](#).
2. Remove the center ventilator duct assembly.
3. Remove the side ventilator grille screw and remove the side ventilator grille from the instrument panel assembly.

F

#### INSTALLATION

Installation is in the reverse order of removal.

H

## CENTER VENTILATOR DUCT

VTL

### CENTER VENTILATOR DUCT : Removal and Installation

INFOID:000000007207503

#### REMOVAL

1. Remove the instrument panel assembly. Refer to [IP-15. "Removal and Installation"](#).
2. Remove the center ventilator duct assembly screws and the center ventilator duct assembly from the instrument panel assembly.

J

#### INSTALLATION

Installation is in the reverse order of removal.

K

## FOOT DUCT

L

### FOOT DUCT : Removal and Installation

INFOID:000000007207504

#### REMOVAL

##### Left Hand Side

1. Remove the A/C unit assembly. Refer to [HA-36. "A/C UNIT ASSEMBLY : Removal and Installation"](#).
2. Remove the foot duct LH screws and the foot duct LH.

N

##### Right Hand Side

1. Remove the instrument panel assembly. Refer to [IP-15. "Removal and Installation"](#).
2. Remove the foot duct RH screws and the foot duct RH.

O

#### INSTALLATION

Installation is in the reverse order of removal.

P

## FRONT FLOOR DUCT

### FRONT FLOOR DUCT : Removal and Installation

INFOID:000000007207505

#### REMOVAL

## DUCT AND GRILLE

### < REMOVAL AND INSTALLATION >

---

1. Remove the rear floor ducts (RH/LH).
2. Remove the instrument lower center panel. Refer [IP-14, "Exploded View"](#).
3. Remove the connector duct from the A/C unit assembly.
4. Pull back the carpet to access the floor ventilator ducts (RH/LH).
5. Remove the floor ventilator ducts (RH/LH).

### INSTALLATION

Installation is in the reverse order of removal.



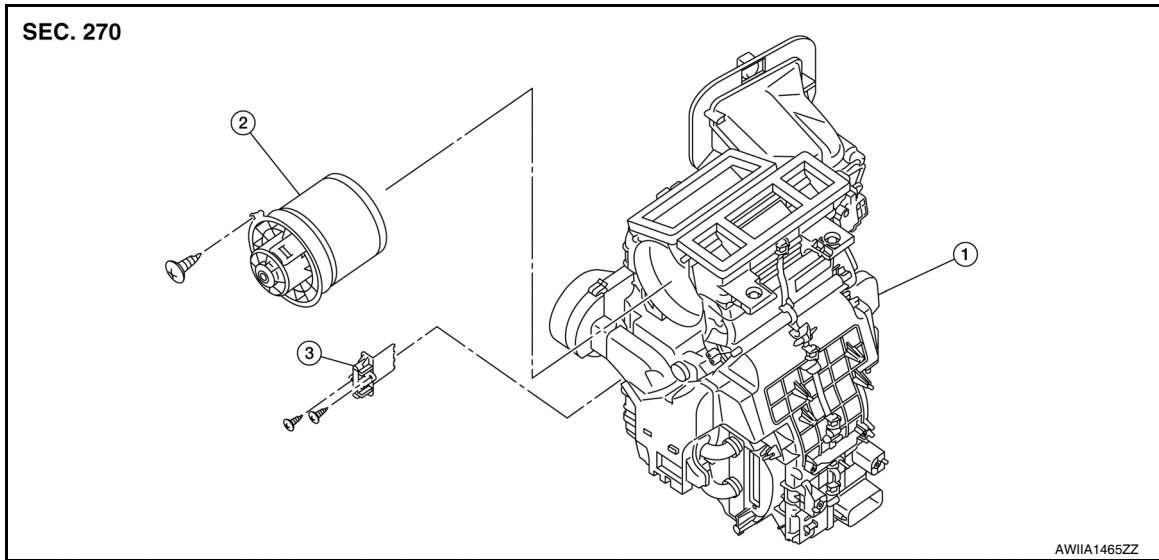
# BLOWER MOTOR

< REMOVAL AND INSTALLATION >

## BLOWER MOTOR

Exploded View

INFOID:000000007207508



1. A/C unit assembly

2. Blower motor

3. Blower fan resistor

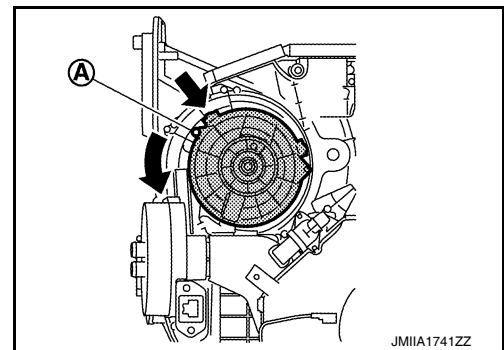
## FRONT BLOWER MOTOR

### FRONT BLOWER MOTOR : Removal and Installation

INFOID:000000007207509

#### REMOVAL

1. Disconnect the negative battery terminal.
2. Remove the lower knee protector LH. Refer to [IP-14, "Exploded View"](#).
3. Remove the accelerator pedal assembly. Refer to [ACC-3, "Removal and Installation"](#).
4. Remove the brake pedal assembly. Refer to [BR-19, "Removal and Installation"](#).
5. Disconnect the blower motor connectors and thermo control amp harness.
6. Remove the blower motor screw (A).
7. Press the flange holding hook, the turn blower motor counter-clockwise and remove the blower motor.



#### INSTALLATION

Installation is in the reverse order of removal.

A  
B  
C  
D  
E  
F  
G  
H  
VTL  
J  
K  
L  
M  
N  
O  
P